

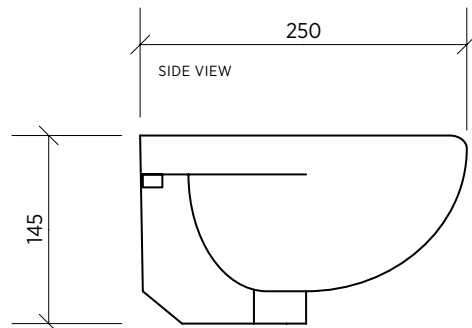
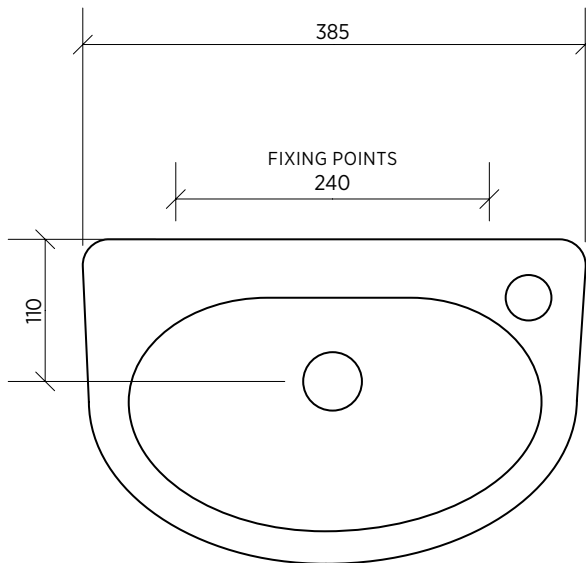
FOTIA SBC-512



Wall basin, D-shaped

This ultra-compact classic basin is designed for areas where space is limited.

ORDER CODE	SBC-512	1 taphole on right
	SBC-512-OT	no taphole
TAPHOLE	0 or 1 taphole.	
WASTE	Suits standard 32 mm waste with overflow (not supplied).	
TRAP	Wall basin can be used with bottle trap, subject to local licensing authorities.	
CAPACITY	2.5 litres.	
OVERFLOW	Standard with overflow.	
MATERIAL	White vitreous china.	
WALL FIXING	Basin fixing bracket supplied.	



Basin has integrated overflow

SEIMA

bathroom | kitchen | laundry

seima.com.au

Please note

- All measurements are in millimetres.
- Dimensions are nominal and subject to normal ceramic manufacturing variations of ± 5 mm.
- Fixing: Use acetic cured silicone sealant. Do not use epoxy type adhesives.
- Always use the actual basin to verify cutout.
- Specifications may vary without notice as part of our continuous improvement practices.
- Clean with a damp cloth. Do not use abrasive cleaners, liquids or pastes.

DS-SBC-512 | v 1.4